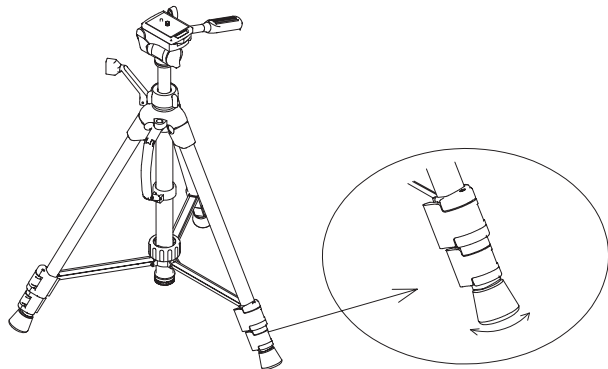


Retractable Leg Spikes

Your QSX 9002D tripod is equipped with retractable leg spikes for extra stability on outdoor surfaces. To use the leg spikes, turn each of the heavy duty rubber leg tips in a clockwise direction until they stop. To retract the leg spikes, turn the rubber leg tips in a counterclockwise direction until they stop.

Note: The leg spikes should only be used outdoors and caution should be exercised when handling the tripod with the spikes exposed.



Precautions

- Insure that all levers, handles, knobs and leg locks are properly tightened, and that all three legs are fully angled opened before use.
- Do not mount any camera directly onto the head mount screw located on the bottom of the tripod's center column. The screw may be longer than the tripod socket in your camera, and could possibly cause damage.
- Do not carry or transport the tripod with the camera equipment attached (as example but not limited to: over your shoulder or cradled in your arms).
- Do not Oil or Grease any part of the tripod.
- Do not use any solvents or thinners to clean your tripod. Use mild detergent and wipe dry with a soft, lint-free cloth only.
- Do not store or expose your tripod to excessive heat or cold or use close to any flame or fire.
- Do not exceed the load limit for this product.

SUNPAK LIMITED LIFETIME WARRANTY

This SUNPAK product has been carefully manufactured, accurately adjusted, inspected and thoroughly tested before shipment to assure you of the highest quality.

Should this SUNPAK product require service, we will repair or replace, at our option, any part or the product itself, which our examination shows to be defective in material or workmanship. This warranty does not apply to wear and tear associated with the normal use of the product. This warranty is non-transferable.

Repairs will be made to the product at no charge, under the terms of the warranty as stated above, only when accompanied by a dated and itemized bill of sale and nominal handling charge.

Be certain to follow all assembly and/or operating instructions with this product. This warranty is not valid if the product has been misused or damaged in any way that is beyond our control or through normal wear and tear associated with use. This warranty applies only to the product and we are not responsible in any way for losses, damages or any inconvenience caused by equipment failure.

Some states do not allow the exclusion or limitation of consequential damages, so the above limitation or exclusion may not apply to you. This warranty gives you specific legal rights and you may have other rights which may vary from state to state.

Should service be required, the product should be carefully packed (in the original packaging if possible) and sent, prepaid and insured, along with a check or money order for \$9.95 (shipping and handling), to the address listed below. A note briefly describing the nature of the defect should also be enclosed to expedite handling.

Proof of purchase and payment for shipping and handling must be included for warranty repairs.

OWNER'S RECORD

Please complete this section and retain with your original bill of sale for your records.

Model Number: QSX 9002DX

Purchase Date: _____

Dealer's Name: _____

Address: _____

City: _____

State: _____ Zip Code: _____

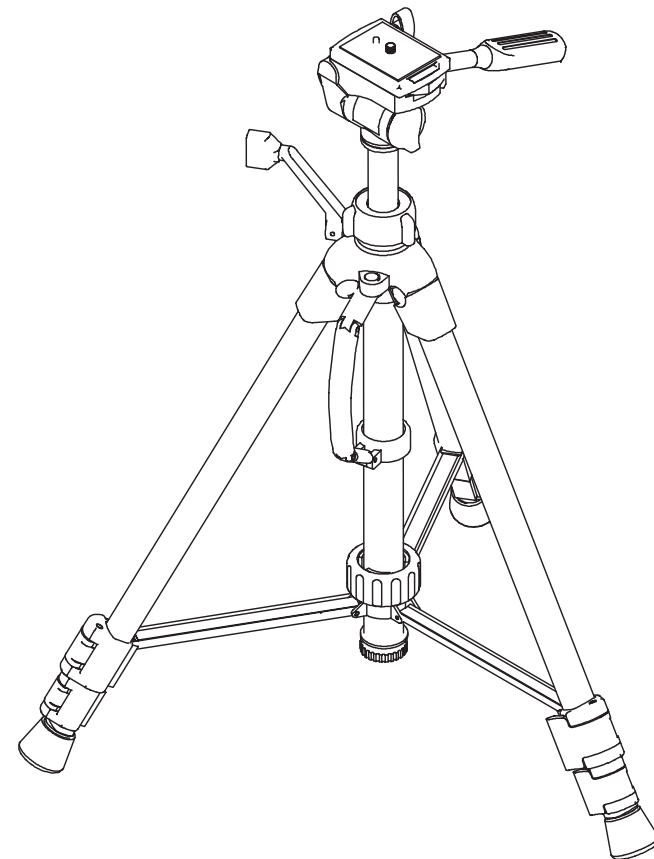
ToCAD America Inc.
Sunpak Tripod Division
53 Green Pond Road
Rockaway, NJ 07866
973-627-9600
www.tocad.com

QSX 9002D

Operating Instructions

Congratulations on the purchase of your new SUNPAK tripod. Your tripod has been designed to be a sturdy, rugged, and dependable product and will provide you with many years of reliable service.

Please spend a few moments reviewing these instructions, so that you can take full advantage of your tripod's features and capabilities.



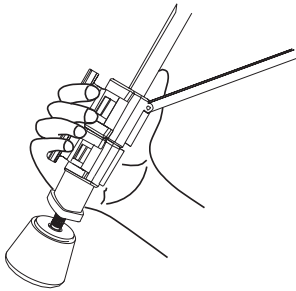
QXS 9002D Specifications

Folded Length	24.3 in (61.8 cm)
Maximum Height	64.6 in (164.0 cm)
Center Column Length	12.25 in (31.1 cm)
Weight	3.7 lb (1.67 kg)
Load Capacity	6.6 lb (3.0 kg)

Extending the Legs

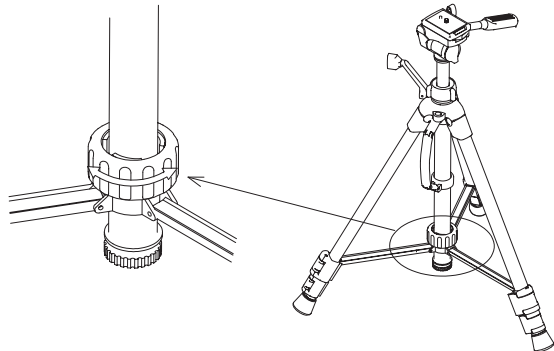
Each leg of the QXS 9002D has separate leg extensions and each segment may be withdrawn as needed. This permits setting your equipment at a comfortable height and can be very useful when positioning your tripod for uneven terrain.

To deploy any leg extension, flip the leg lock lever open in the direction as shown and gently pull on the leg to extend. To secure, press the leg lock in the opposite direction until it locks in place. Not properly securing a leg lock may cause the tripod leg to retract unexpectedly and result in damage to the camera and tripod.



Opening and Closing the Tripod

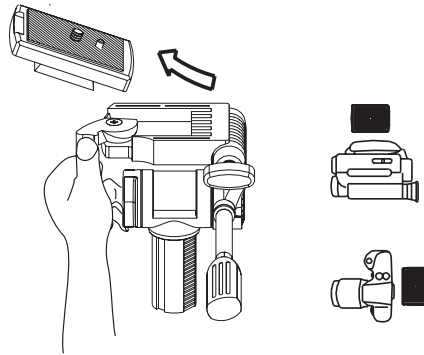
When opening the tripod, make certain that the leg bracing locking collar is loosened. All three braces should then be fully extended by gently pressing down on any brace until it stops. To secure, retighten the collar. To close the tripod, reverse the sequence.



Quick Release Platform

To remove the quick release platform, move the lock lever outward and lift the platform up and to the left from the panhead assembly.

Align and attach the platform to the type of camera that is being used as illustrated below. To attach the platform and camera to the panhead, move and hold the quick release lock lever outward and place the platform into the panhead saddle. Secure the platform and camera to the tripod panhead by moving the lock lever firmly into position.



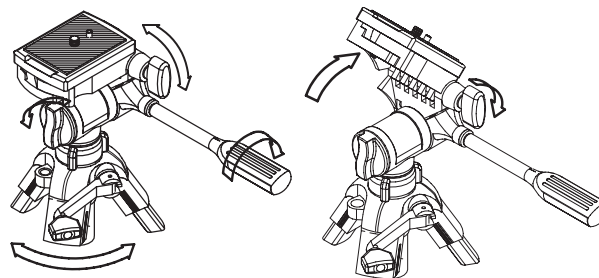
3-Way Panhead

To tilt, loosen the panhead/tilt handle, by turning the handle counterclockwise. Tilt the panhead as desired and retighten by turning the panhead/tilt handle clockwise.

To pan, loosen the pan locking knob, position as desired and retighten.

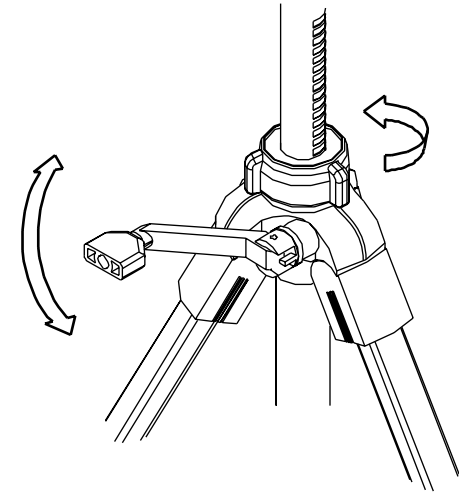
For action panning, loosen the pan locking knob and use the panhead/tilt handle to follow the action.

To shoot verticals, loosen the vertical tilt locking knob and rotate clockwise to the vertical position.



Height and Tension Control Adjustments

The QXS 9002D is equipped with a rack and pinion geared center column for precise height adjustments. To raise or lower the center column, loosen the elevation locking collar. Fold out the elevation crank and turn to the desired height. Retighten the elevation locking column to secure.



Folding Carry Handle

The QXS 9002D incorporates a built in folding handle that automatically extends for easy transportation just about anywhere. When not in use, it folds conveniently against the center column.

