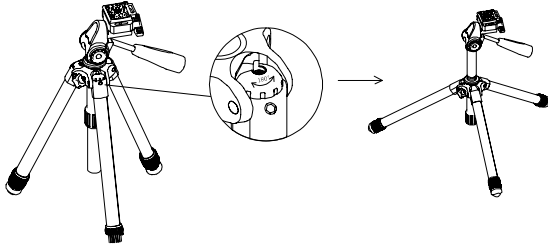


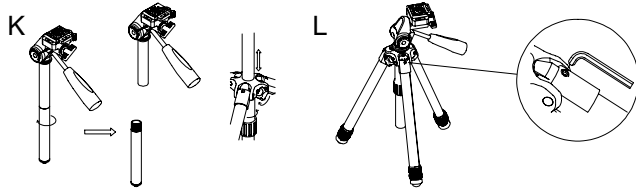
Adjusting Leg Angle

To change the operation angle of any leg, fold the leg in slightly towards the center column, turn the One-Touch Low angle Adjustment wheel half way around (180 degrees), and pull the leg away from the center column until it stops as illustration below.



Split Center Column and Tension Adjustment Screw for the Leg Connector

Your Sunpak TravelLite tripod is equipped with a Split Center Column (see illustration K) for low angle heights. The tension for the leg connector can be adjusted with an allen wrench (see illustration L).



Precautions

- Insure that all levers, handles, knobs and leg locks are properly tightened, and that all three legs are fully angled opened before use.
- Do not mount any camera directly onto the head mount screw located on the top of the tripod's center column. The screw may be longer than the tripod socket in your camera, and could possibly cause damage.
- Do not carry or transport the tripod with the camera equipment attached (as example but not limited to: over your shoulder or cradled in your arms).
- Do not Oil or Grease any part of the tripod.
- Do not use any solvents or thinners to clean your tripod. Use mild detergent and wipe dry with a soft, lint-free cloth only.
- Do not store or expose your tripod to excessive heat or cold or use close to any flame or fire.
- Do not exceed the load limit for this product.

SUNPAK LIMITED LIFETIME WARRANTY

This SUNPAK product has been carefully manufactured, accurately adjusted, inspected and thoroughly tested before shipment to assure you of the highest quality.

Should this SUNPAK product require service, we will repair or replace, at our option, any part or the product itself, which our examination shows to be defective in material or workmanship. This warranty does not apply to wear and tear associated with the normal use of the product. This warranty is non-transferable.

Repairs will be made to the product at no charge, under the terms of the warranty as stated above, only when accompanied by a dated and itemized bill of sale and nominal handling charge.

Be certain to follow all assembly and/or operating instructions with this product. This warranty is not valid if the product has been misused or damaged in any way that is beyond our control or through normal wear and tear associated with use. This warranty applies only to the product and we are not responsible in any way for losses, damages or any inconvenience caused by equipment failure.

Some states do not allow the exclusion or limitation of consequential damages, so the above limitation or exclusion may not apply to you. This warranty gives you specific legal rights and you may have other rights which may vary from state to state.

Should service be required, the product should be carefully packed (in the original packaging if possible) and sent, prepaid and insured, along with a check or money order for \$9.95 (shipping and handling), to the address listed below. A note briefly describing the nature of the defect should also be enclosed to expedite handling.

Proof of purchase and payment for shipping and handling must be included for warranty repairs.

OWNER'S RECORD

Please complete this section and retain with your original bill of sale for your records.

Purchase Date _____

Model _____

Dealer's Name _____

Address _____

City _____

State _____ Zip Code _____

ToCAD America Inc.

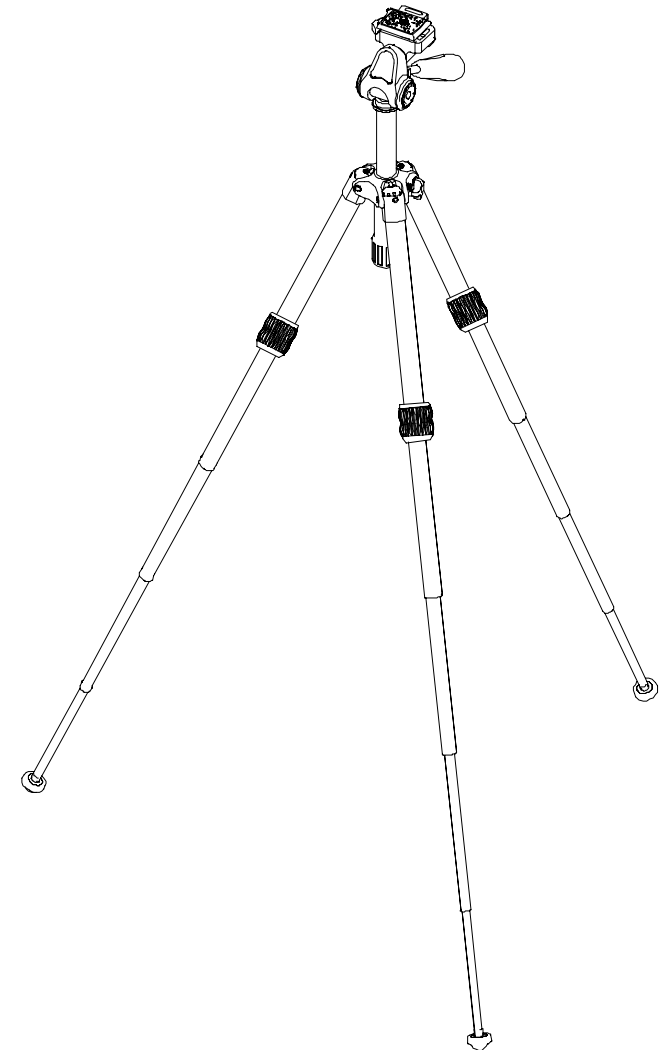
Sunpak Tripod Division
53 Green Pond Road
Rockaway, NJ 07866
973-627-9600
www.tocad.com

SUNPAK® TRAVELLITE

Operating Instructions

Congratulations on the purchase of your new SUNPAK tripod. Your tripod has been designed to be a sturdy, rugged, and dependable product and will provide you with many years of reliable service.

Please spend a few moments reviewing these instructions, so that you can take full advantage of your tripod's features and capabilities.

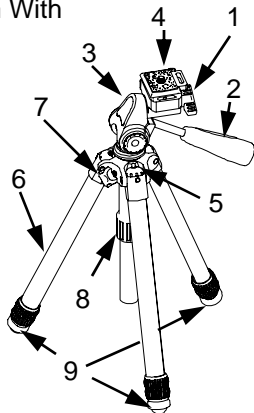


Specifications

Length	14.6 in. (37 cm)
Maximum Height	56.5 in. (143.5 cm)
Minimum Height	9.84 in. (25 cm)
Center Column Length	9 in. (22.9 cm)
Weight	2.13 lbs. (966 g)
Load Capacity	3.3 lbs. (1.5 kg)

Tripod Components

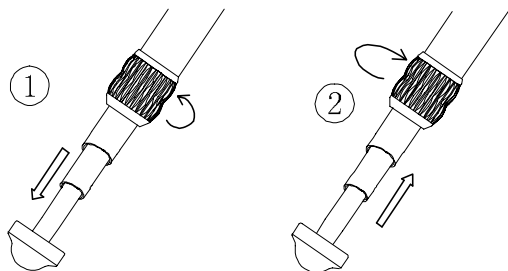
1. Vertical Tilt Lock Knob
2. Twist Pan/Tilt Locking Handle
3. 3-Way Panhead With Bubble Level
4. Quick Release Platform With Locking Lever
5. One-Touch Leg Angle Adjustment Wheel
6. 5-Section Leg With Twist Leg Locks
7. Elevation Lock Knob
8. Tension Adjustment Collar/Split Center Column
9. Rubber Feet



Extending the Sunpak TravelLite Legs

Each leg of the Sunpak TravelLite has twist leg locks and each segment may be withdrawn as needed. This permits setting your equipment at a comfortable height and can be very useful when positioning your tripod on uneven terrain.

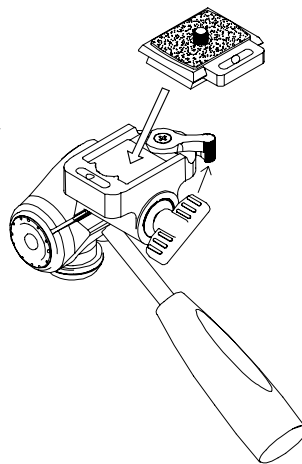
To deploy any leg extension, twist the leg lock (1) counterclockwise and gently pull on the leg segment to the desired length. To secure in position, twist the leg lock clockwise (2). Not properly securing a twist leg lock may cause the tripod leg to retract unexpectedly and result in damage to your camera and tripod).



Quick Release Platform

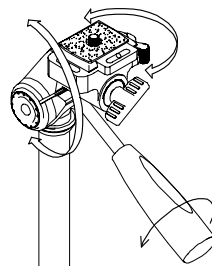
Move the Quick Release Locking Lever outward until it stops and remove the Quick Release Platform by lifting upward. The platform has a threaded 1/4 x 20 camera mounting screw for camera attachment.

Position the platform so that the camera mounting screw aligns with the matching receptacle on your camera or camcorder and attach, using the camera mounting screw. Move and hold open the Quick Release Lock Lever and with the camera tilted slightly down, slide the Quick Release Platform back into position. After doing so, secure the platform using the Quick Release Locking Lever by pressing firmly until it stops.

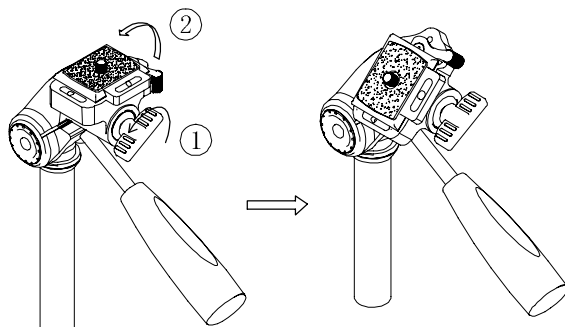


Using the 3-way Panhead

For panning and tilting, loosen the Pan and Tilt Handle, by turning the handle counterclockwise. Tilt the Panhead as desired and retighten by turning clockwise or leave loose for panning.



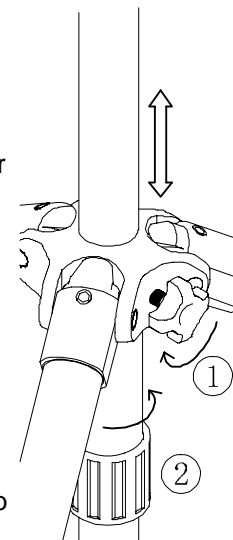
To change the camera format from horizontal to vertical, loosen the Vertical Lock Knob (1) and rotate the camera platform (2) 90 degrees to the left to its vertical position. Retighten the Vertical Tilt Lock Knob.



Height and Tension Control Adjustments

Your Sunpak TravelLite tripod is equipped with a Lift-n-Lock Split Center Column for precise height adjustments.

To raise or lower the center column, loosen the Elevation Lock Knob (1). Grasp the tripod head and lift to the desired height. Retighten the Elevation Lock Knob to secure. To reduce any sudden downward camera movement when adjusting the tripod's height, your Sunpak TravelLite tripod is also equipped with a Tension Adjustment Collar (2) that encases the center column. Turning the collar in a counter clockwise direction will increase tension to the column, which acts as aid in supporting heavier cameras. To reduce tension on the center column, when using lighter weight equipment, turn the collar counterclockwise.



Note: Never release your camera until the Elevation Lock Knob is securely retightened.

Opening and Closing the Tripod

Your Sunpak TravelLite tripod is equipped with One-Touch leg angle adjustment wheels. When the wheel is turned it will automatically stop with the leg is fully extended. When opening the tripod, make certain that all three One-Touch leg angle adjustment wheels are not rotated to the low angle position. All three One-Touch leg angle adjustment wheels should be rotated so that the metal tab, that is located on the top of the wheel, is turned toward the tripod chassis. When closing the tripod, simply press each leg towards the center column, until they stop.

